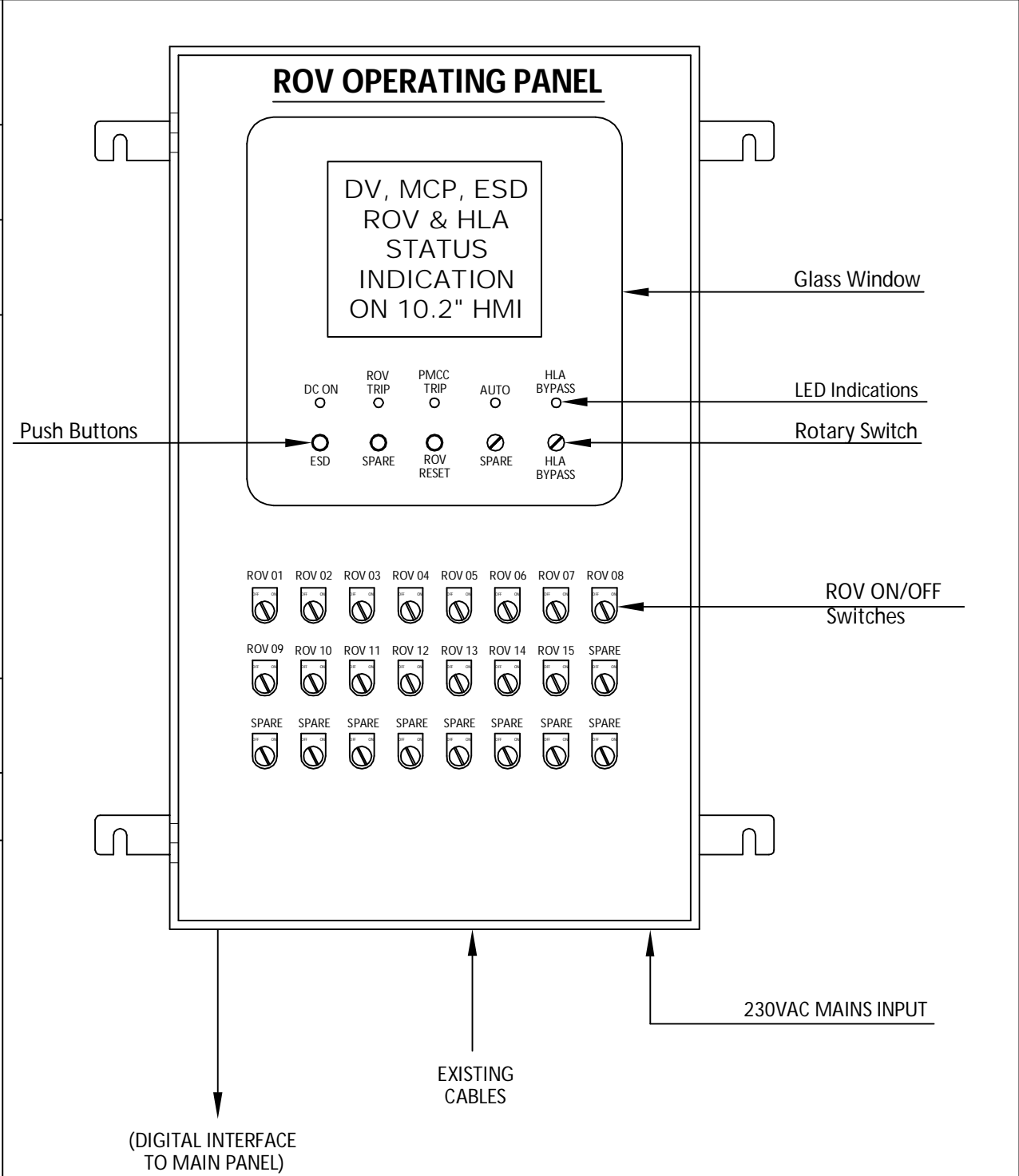


APPD.	
DRN.	
DATE	
REVISIONS	
LOCATION	
RIV. No.	



**PANEL SIZE : 1000mm H. x 600mm W. x 325mm D.**



**Pentax Engineering Pvt. Ltd.**

MUMBAI - 400 072.

MATERIAL	SURFACE TREATMENT	TITLE :- <b>ROV PANEL</b>			
-----	-----	CLIENT :-			
UNLESS OTHERWISE SPECIFIED GENERAL TOLERANCES ON DIMENSIONS X.X     + X.XX   + X.XXX  +  ▽     ROUGH FINISH ▽▽   SMOOTH FINISH ▽▽▽  GROUND FINISH		USED ON		DRAWING No.	
		DRN.	NAME	DATE	<b>3C-1408-4/ILK3</b>
SCALE	NTS	CHD.	RAJESH G.	29.05.2019	
		APPD.	RAJESH G.	29.05.2019	RIV. No. <b>0</b>
					SIZE <b>A4</b>

THIS DOCUMENT & DESIGN IS THE PROPERTY OF M/S. PENTAX ENGINEERING. PVT. LTD. IT MUST NOT BE REPRODUCED OR USED WITHOUT AUTHORISATION OF M/S. PENTAX ENGINEERING PVT. LTD.

## **ROV CONTROL PANEL**

**The Pentax ROV System is specially designed & developed to meet the Fire Fighting requirements of a typical LPG Bottling Plant.**

**It allows the user to have Total Control of ROV's Operation with Panels located at Control Room.**

**As the ROV System is designed & developed in-house, it becomes very easy for our CSS Engineers to maintain in the long run.**

**Based on Plant requirements, we propose CE & UL listed PLC and 10 "HMI".**

**We provide Status indication of existing ROV's & HLA's on the HMI, SCADA & Mimic panel .**